

PRACTICE TEST
for
ASSEMBLY

THIS TEST MIMICS THE STYLE OF TEST FOR
ASSEMBLY USED BY THE PLANT OPERATOR
SELECTION SYSTEM (POSS).

PRACTICING FOR THE ASSEMBLY TEST

The Plant Operator Selection System (POSS) includes a test for Assembly. Assembly involves reviewing parts and their assembly instruction in order to put the parts together in the correct manner.

To help you prepare, a practice test follows designed so you may practice correctly matching unassembled parts, with how they would look as assembled, within a suggested time limit of five (5) minutes.

For each of the total of nine (9) questions you answer, there will be five (5) possible answers. Carefully review the instructions before beginning this test, and then set a timer for five (5) minutes. You should be able to answer all nine (9) assembly problems within this time.

Practicing taking this type of test will familiarize you with the style of the real selection test. To create conditions most like a real test:

- Practice by taking the complete test with all nine questions
- Be sure to set a timer before beginning each part
- Do not look at the answers provided at the end of this practice test until you have completed all the test questions

ASSEMBLY

HOW TO TAKE THIS TEST

These instructions provide an example using two examples, shown below in Figures 1 and 2:

Figure 1 shows a prism with two surfaces marked. One is marked B, referring to the end of the prism while the other is marked C pointing to one of the six long sides of the prism.

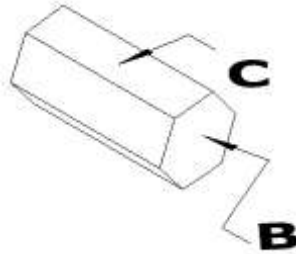


FIGURE 1

Each test problem presents a total of four (4) objects that could be similar to this one, with each object having one or more surfaces or edges marked by a letter. Your job is to match the surfaces and/or edges with the same letters to complete the assembly. Figure 2 looks like a real test question. When you determine how the final assembly will look it will match one of the five possible answers, numbered 1 through 5. Fill in the number of the assembly that is correct.

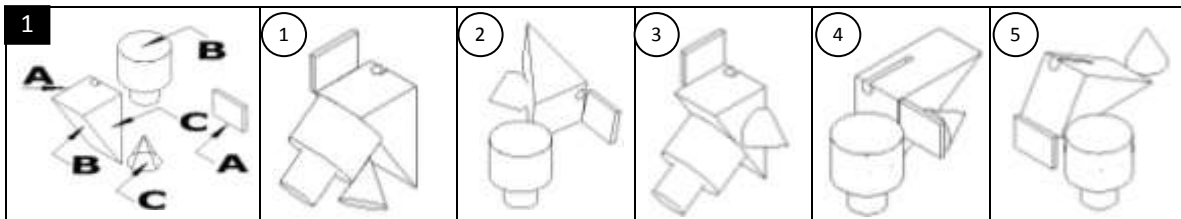


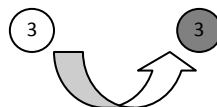
FIGURE 2

A step-by-step approach may work better than attempting to visualize the actual assembly. You may find it helpful to look at how the letters should match, but also consider where they obviously do not.

In Figure 2, try matching up the letter A on two objects. For example, letter A points to one edge of the upside down wedge. However, it does *not* point to the edge having the circular cutout. Letter A also points to the long edge along the bottom of a rectangular block. With this information in mind, evaluate the possible answers. Answer 1 has a correct match for Letter A. Answer 2 does not. Answer 3 has a correct match for Letter A. Answer 4 and 5 do not. So at this point, you may rule out Answers 2, 4 and 5. The remaining possible answers are 1 and 3.

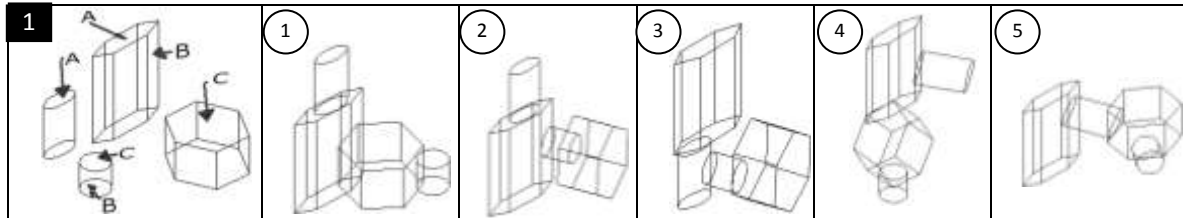
Now consider how the letter B should match in this example. In both 1 and 3, the match for B is possible. Move on to letter C. Answer 1 does not match the bottom of the cone against the side of the wedge. Answer 3; however, does.

In this example, the correct answer to mark is Answer 3.

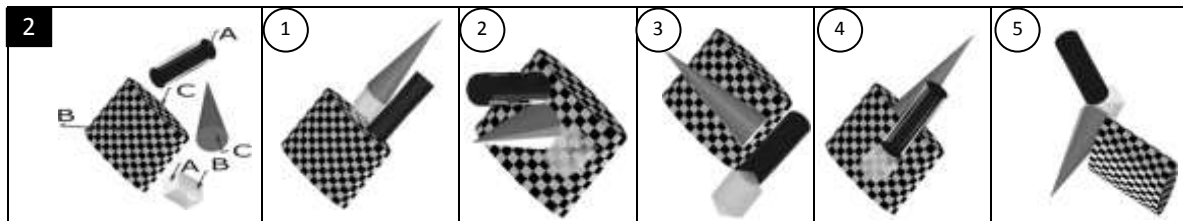


ASSEMBLY PRACTICE TEST

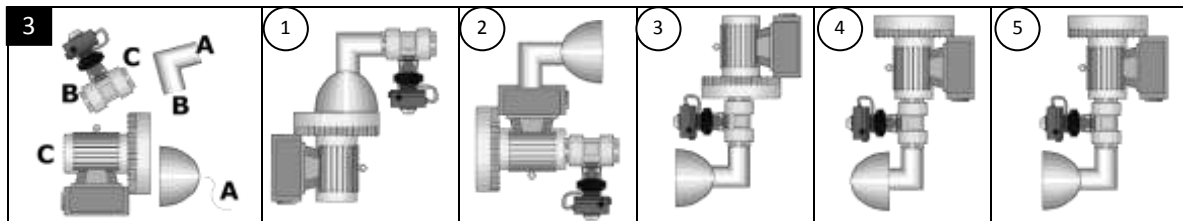
1.



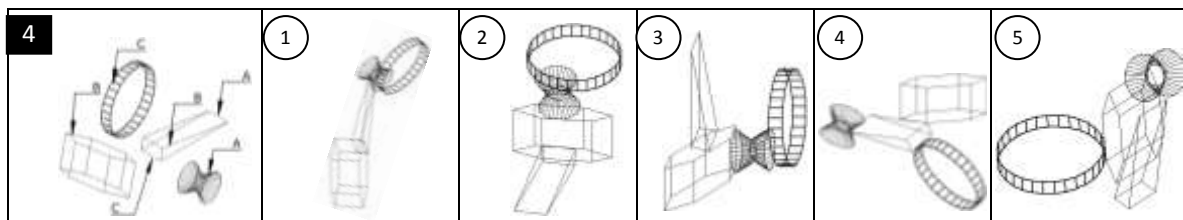
2.



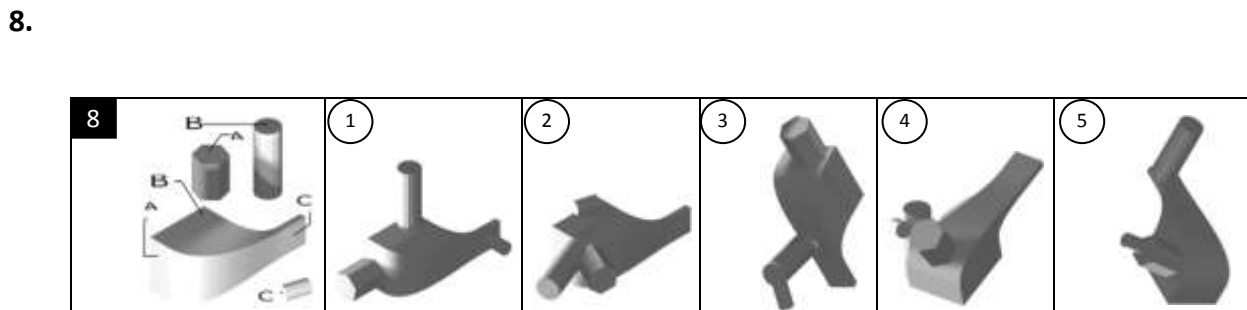
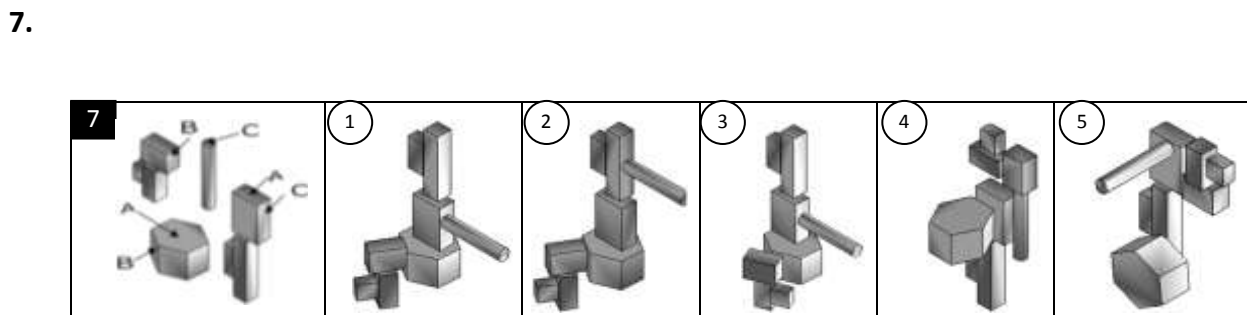
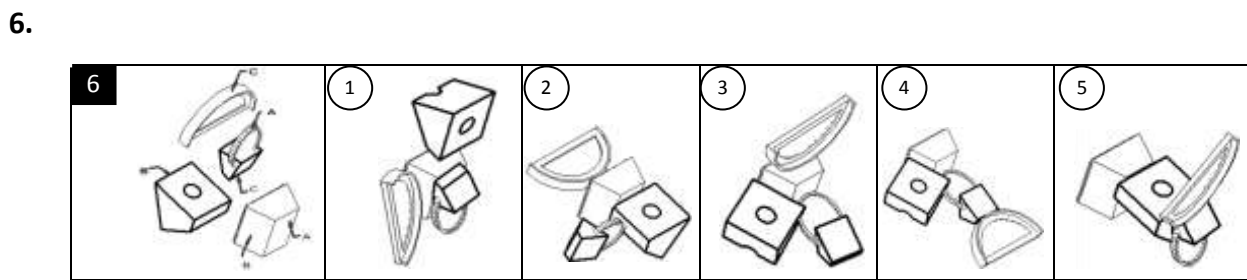
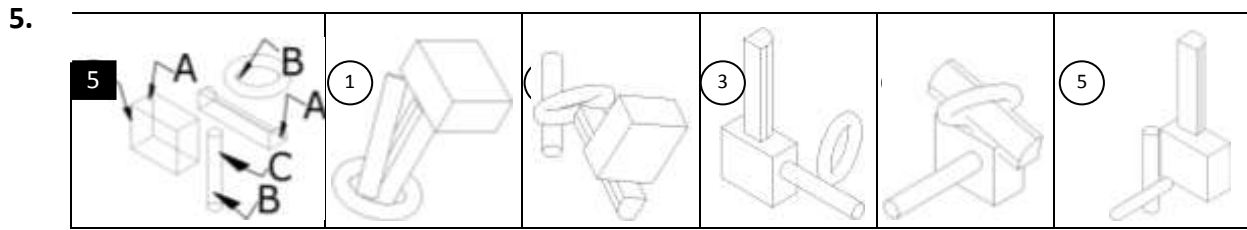
3.

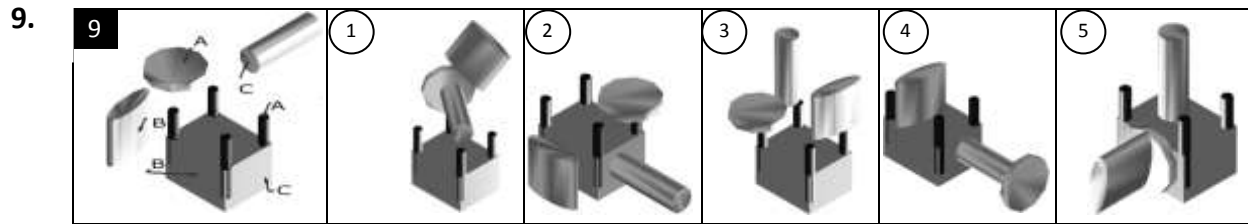


4.



Assembly Test #3





Answers with explanations begin on the next page.